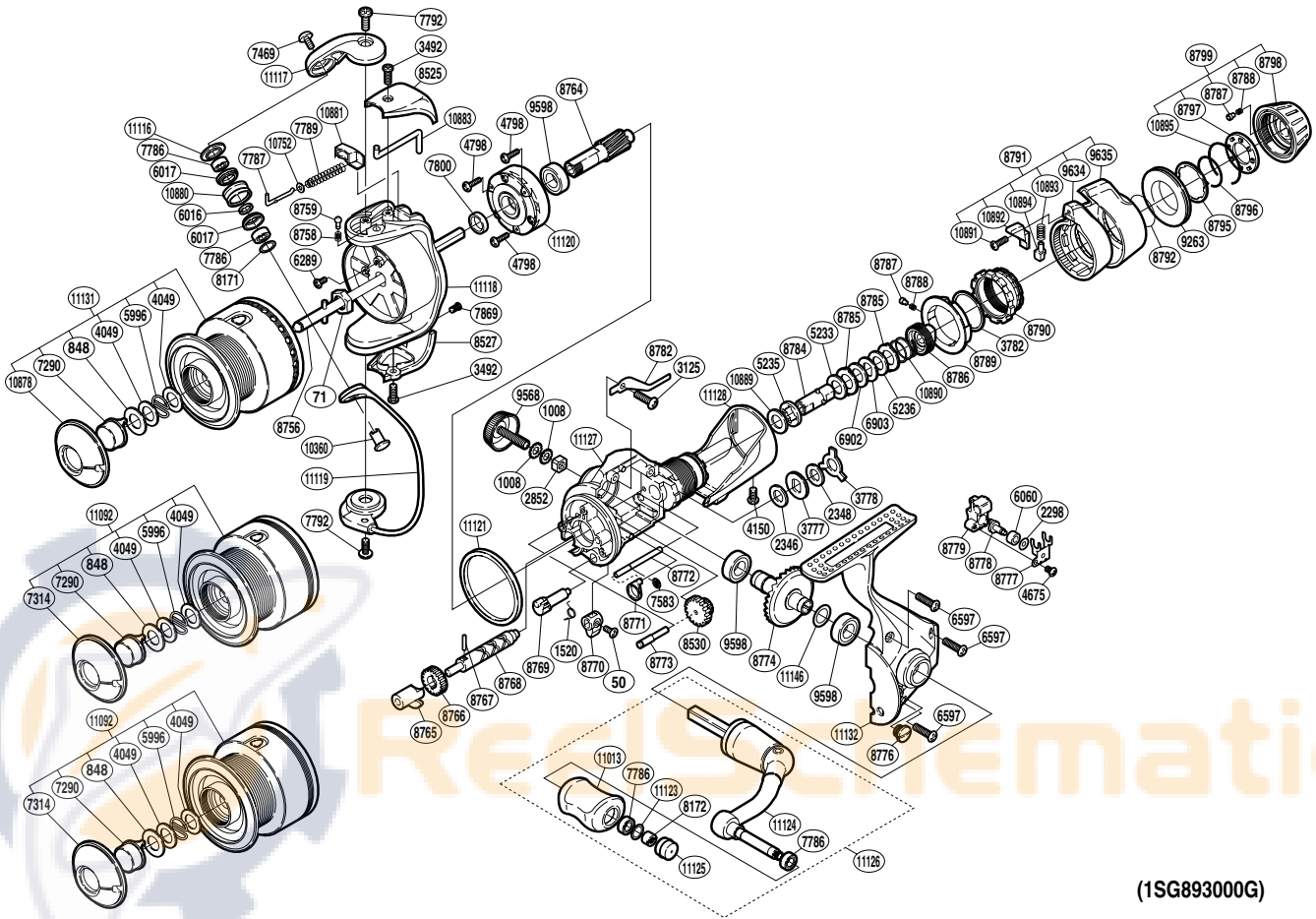


SHIMANO

ASPIRE A-RB

AS-3000SRA



(1SG893000G)

| Part No. | Description | Part No. | Description | Part No. | Description |
|----------|--------------------------------|----------|-----------------------------|----------|------------------------|
| RD 0050 | Screw | RD 8171 | Washer | RD 9263 | Drag Programmer B |
| RD 0071 | Rotor Nut | RD 8172 | Handle Knob Nut | RD 9568 | Handle Screw Cap |
| RD 0848 | Washer | RD 8525 | Bail Spring Cover | RD 9598 | Ball Bearing |
| RD 1008 | Lock Washer | RD 8527 | Bail Hold Support Guard | RD 9634 | Fightin' Lever Inner A |
| RD 1520 | Anti-Reverse Cam Spring | RD 8530 | Idle Gear B | RD 9635 | Fightin' Lever Outer |
| RD 2298 | Spacer | RD 8756 | Main Shaft | RD10360 | Rotor Ring |
| RD 2346 | Drag Washer | RD 8758 | Click Spring | RD10752 | Spring Guide A Support |
| RD 2348 | Drag Washer | RD 8759 | Click Pin | RD10878 | Push Button Collar |
| RD 2852 | Handle Screw Lock | RD 8764 | Pinion Gear | RD10880 | Line Roller |
| RD 3125 | Screw | RD 8765 | Worm Bushing | RD10881 | Bail Spring Seat |
| RD 3492 | Screw | RD 8766 | Idle Gear | RD10883 | Bail Trip Lever |
| RD 3777 | Click Gear | RD 8767 | Worm Shaft Pin | RD10889 | Drag Washer |
| RD 3778 | Eared Washer | RD 8768 | Worm Shaft | RD10890 | Drag Coil Spring |
| RD 3782 | Fightin' Pressure Screw Washer | RD 8769 | Anti-Reverse Cam | RD10891 | Screw |
| RD 4049 | Washer | RD 8770 | Anti-Reverse Lever | RD10892 | Fightin' Lever Inner B |
| RD 4150 | Screw | RD 8771 | Oscillating Guide Retainer | RD10893 | Position Pin Spring |
| RD 4675 | Screw | RD 8772 | Oscillating Guide | RD10894 | Lever Position Pin |
| RD 4798 | Screw | RD 8773 | Idle Gear B Shaft | RD10895 | Click Plate Retainer |
| RD 5233 | Drag Washer | RD 8774 | Drive Gear | RD11013 | Handle Knob |
| RD 5235 | Drag Shaft B | RD 8776 | Oil Cap | RD11116 | Line Roller Washer |
| RD 5236 | Drag Washer | RD 8777 | Oscillating Slider Retainer | RD11117 | Bail Arm |
| RD 5996 | Locking Spring | RD 8778 | Oscillating Pawl | RD11118 | Rotor |
| RD 6016 | Bearing Spacer | RD 8779 | Oscillating Slider | RD11119 | Bail Assembly |
| RD 6017 | Line Roller Bushing | RD 8782 | Drag Click | RD11120 | Roller Clutch Assembly |
| RD 6060 | Oscillating Slider Bushing | RD 8784 | Drag Shaft A | RD11121 | Friction Ring |
| RD 6289 | Screw | RD 8785 | Eared Washer | RD11123 | Washer |
| RD 6597 | Screw | RD 8786 | Pressure Screw | RD11124 | Handle Shank Assembly |
| RD 6902 | Drag Washer | RD 8787 | Click Pin | RD11125 | Handle Knob Seal |
| RD 6903 | Key Washer | RD 8788 | Click Spring | RD11126 | Handle Assembly |
| RD 7290 | Push Button | RD 8789 | Lever Click Gear | RD11127 | Body |
| RD 7469 | Screw | RD 8790 | Fightin' Pressure Screw | RD11128 | Rear Protector |
| RD 7583 | E Lock | RD 8791 | Fightin' Lever Assembly | RD11131 | Spool Assembly |
| RD 7786 | Ball Bearing | RD 8792 | Drag Knob Friction Ring | RD11132 | Side Cover |
| RD 7787 | Bail Spring Guide A | RD 8795 | Drag Knob Washer | RD11146 | Washer |
| RD 7789 | Bail Spring | RD 8796 | Drag Knob Retainer | | |
| RD 7792 | Screw | RD 8797 | Click Plate | | |
| RD 7800 | Rotor Ring | RD 8798 | Drag Programmer A | RD 7314 | Push Button Collar |
| RD 7869 | Screw | RD 8799 | Drag Programmer Assembly | RD11092 | Spare Spool Assembly |

(181220)